

Shower Waterproofing System

Packaging



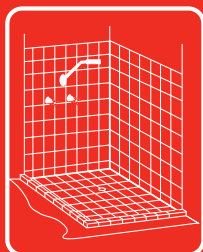
Mixing



Application



Uses



Substrates

FLOORS
Cement sheet
Concrete

WALLS
Building board
Gypsum
Cement
Concrete
Brick, block
Cement render

Waterproofing of shower alcoves prior to tiling

Conforms to AS/NZS 4858 Class 3

Description

A waterproofing kit for enclosed shower alcoves. Suitable for use on concrete, compressed cement sheeting and walls constructed of brick, block, render, cement sheeting and waterproof gypsum building board.

Coverage (Approximate)

2 litre/m² at 1.5mm dry film thickness.

Contents of Kit

- 1 litre **Primebond**
- 4 litre **Liquid Flash 1**
- 140mm **Reomat**
- 50mm bond breaking tape
- Brush

Surface Preparation

Waterproofing must be in accordance with AS3740.

Surfaces to be waterproofed must be sound and free of dirt, dust, grease and other contaminants and allowed to dry before priming. The waste hole in compressed cement flooring must be cut no more than 5mm larger than the waste external diameter. Recess drainage flange. New concrete must have cured for 28 days.

Priming

Apply **Primebond** with a brush to the prepared dry surface. When the surface becomes dry (after approximately 15-20 minutes) apply the membrane - wash up with clean water.

Apply bond breaker tape to joints

Place 50mm bond breaker tape or 13mm bead of neutral cure silicone at the wall/floor/hob/waste junctions and joints in sheeting equally to both surfaces. This will allow for greater movement accommodation, should it occur.

Apply 150mm wide membrane over the bond breaker

Apply a 150mm wide, thick coat of waterproofing membrane centrally over areas where the bond breaker is applied. Reinforce the wet membrane with 140mm **Reomat** to guarantee its thickness and performance.

Apply 1st coat to floor and walls

Apply the 1st coat of membrane to the floor and wall. Take care to seal around the tap and faucet outlets.

Recoat time: Two hours (depending on weather conditions).

Application Temperature: Apply coating in ambient temperatures between 10°-30°C.

Apply 2nd coat to floor and walls

Apply a 2nd coat of membrane to the area to be tiled - recoat time is 2 hours. Apply the second coat of membrane at 90° to all of the previous coat applying a thick coat (1.5mm wet) to ensure final dry thickness of 1.5mm. Clean up the uncured coating with clean water.

Thickness

Check the wet film thickness at 0.5 metre intervals and also at 0.5 metres along the bond breaking tape, with a wet film thickness gauge.

Adhere Tiles

Allow the membrane to cure for 72 hours before fixing tiles with **Kemgrip Floor & Wall** mixed with **Elastacrete** or **Kemflex, Gripflex** or **Monoflex**. Tiles must be laid so that adequate fall is towards the floor waste. A cement screed can be used to achieve this.

Grouting

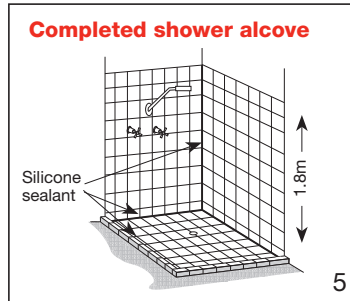
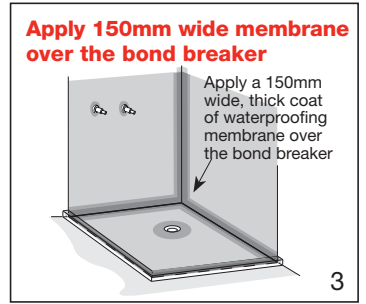
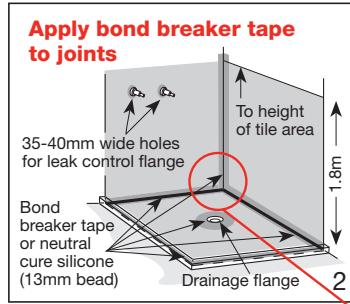
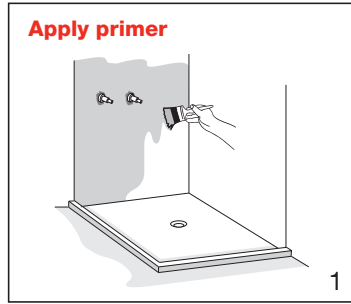
Allow adhesive to cure 24 hours before grouting with **Kemgrout**. A silicone sealant applied to the surface at the junction of wall/wall, wall/floor and hob/floor, hob/wall in place of the grout.

Precautions

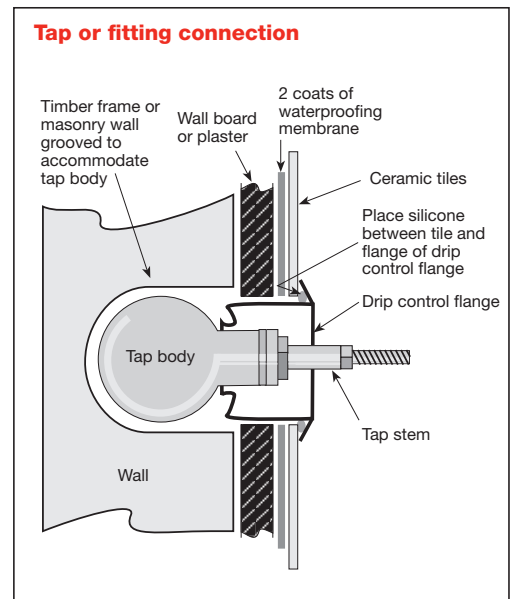
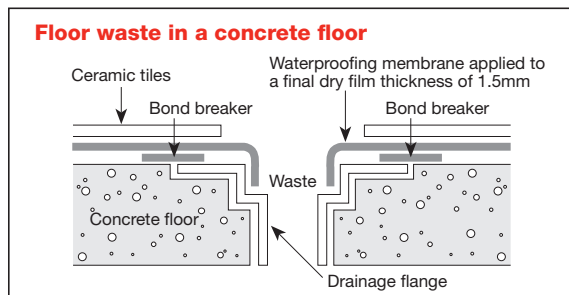
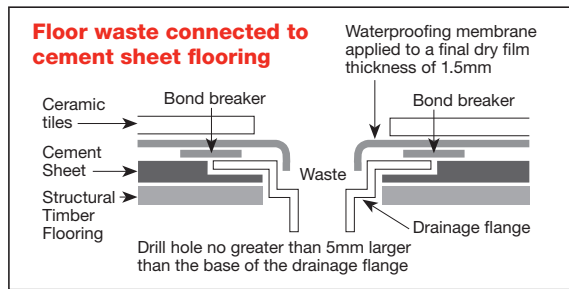
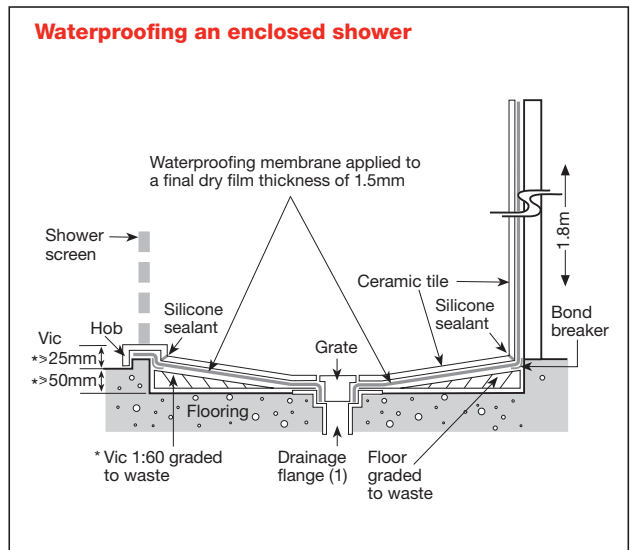
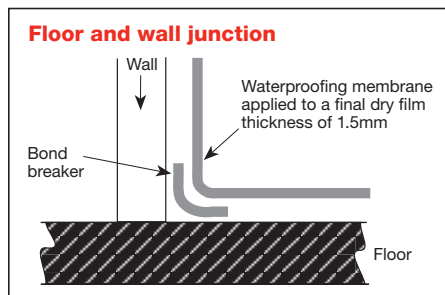
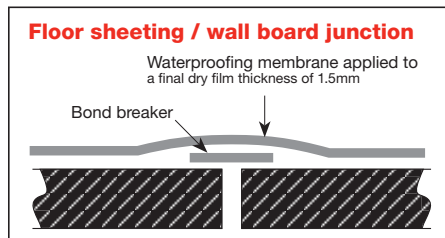
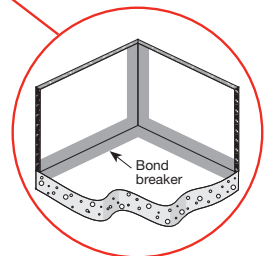
Allow the membrane to cure for 3 days before tiling and 7 days before putting into use. It is advisable to flood test the shower after curing (approx. 7 days @ 23°C @ 50° relative humidity). Drain the water and allow the membrane to dry for 24 hours before tiling.

Safety Precautions

The waterproofing membranes and primers are not harmful or toxic. Splashes on the skin and eyes must be washed away with clean water. Apply products in well ventilated areas.



Floor and wall junction



Dribond CONSTRUCTION CHEMICALS

Adelaide (08) 8243 7888 **Sydney** (02) 9756 3533
Brisbane (07) 3271 2944 **Auckland** (09) 273 5444
Melbourne (03) 9761 4711 **Kuala Lumpur** (603) 5122 2522
Perth (08) 9356 9999

www.constructionchemicals.com.au

The information contained in this technical publication is based on our current knowledge and experience and is provided as a guide only. In view of the many factors that may affect application it is the user's sole responsibility to ensure suitability for a specific purpose.